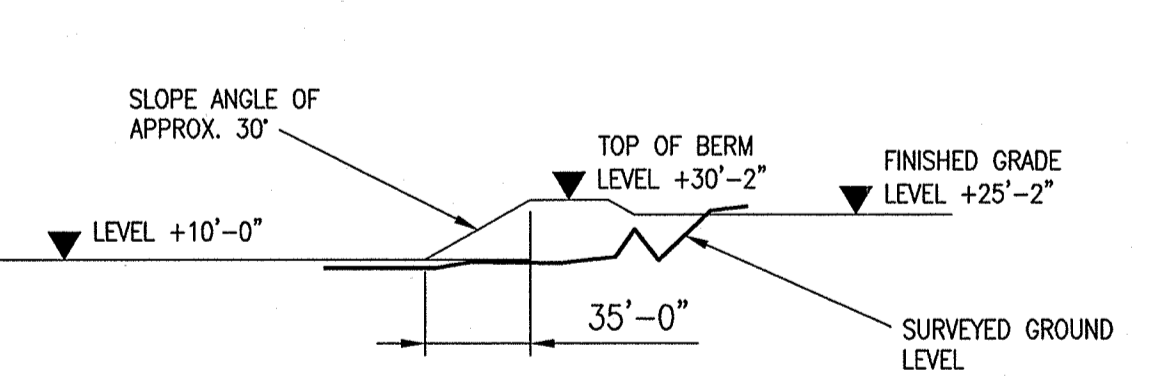
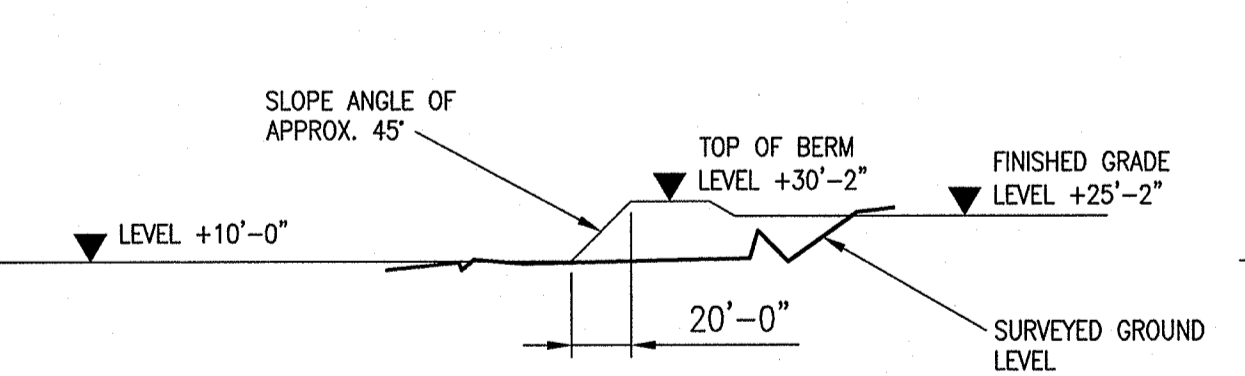
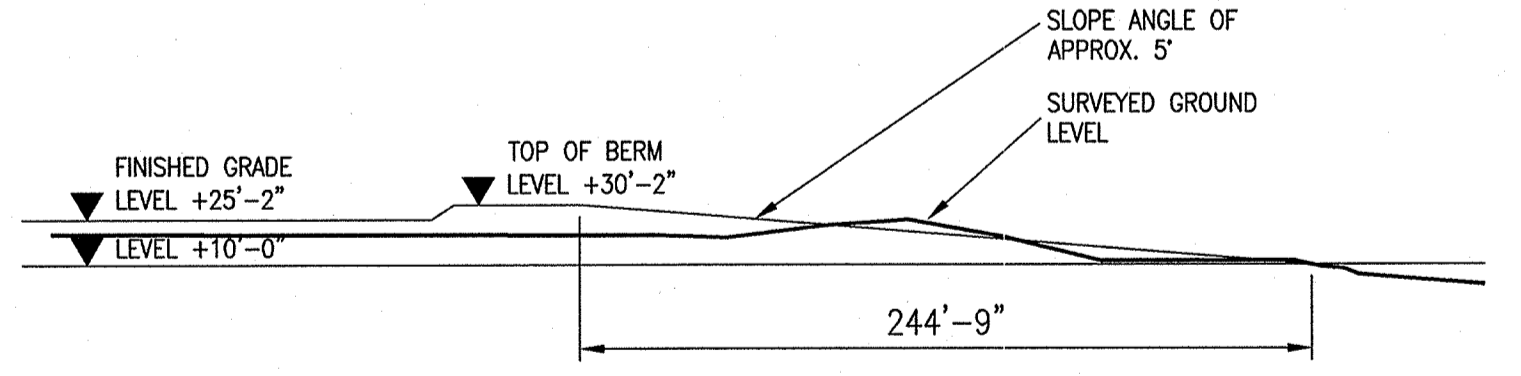
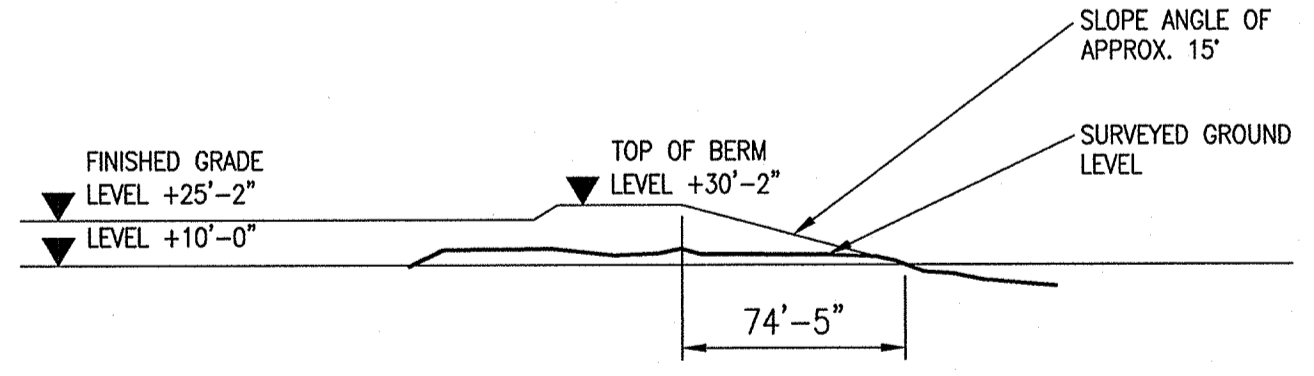


SITE PLAN VIEW SHOWING ROUGH GRADING



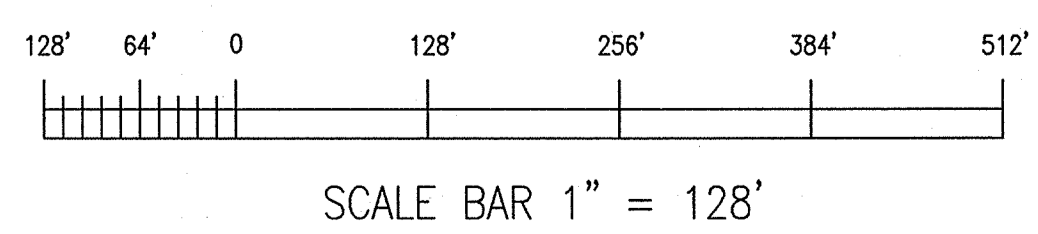
SECTION 4  
SCALE 1/64"=1'

SECTION 5  
SCALE 1/64"=1'

SECTION 6  
SCALE 1/64"=1'

SECTION 7  
SCALE 1/64"=1'

NOTE :-  
ALL ELEVATIONS GIVEN ARE ABOVE NORTH AMERICAN VERTICAL DATUM OF 1988 (NAVD 88)



Rev	Description	Drawn & Date	Checked & Date	Approved & Date
A4	BERM REPLACES THE WORDS 'TERTIARY BUND'. IN ALL SECTIONS THE WORDS 'NOMINAL WATER' DELETED, BERM BY SITE ENTRANCE DELETED AND LEVEL +20'-0" AT SITE ENTRANCE REV'D. DWG ISSUED FOR F.F.F.	D.KNEALE 18.07.06	C.JAMES 18.07.06	C.JAMES 18.07.06
A3	BUND AND ROAD AT SECTION '6' MOVED 15'-0" WEST. SECTION '6' SLOPE ANGLE WAS 30'. SECTION 7 ADDED. TEXT RE 15'-0" WIDE TERTIARY BUND ADDED. DRAWING ISSUED FOR FERC FILING.	D.KNEALE 08.07.06	P.MAYNARD 08.07.06	P.MAYNARD 08.07.06
A2	DRAWING REVISED TO REDUCE WETLAND IMPACT AND SHORELINE REGENERATION. BUND AND FENCE LINE AT NORTH WEST, SOUTH WEST AND SOUTH EAST REV'D ACCORDINGLY. SECT '6' ADDED. DWG ISSUED F.F.F.	D.KNEALE 02.07.06	P.MAYNARD 02.07.06	P.MAYNARD 02.07.06
A1	ISSUED FOR FERC FILING	24/05/06	24/05/06	24/05/06

**whessoe**  
Whessoe Oil and Gas Limited  
Whessoe Technology Centre  
Morton Palms, Darlington, Co Durham, DL1 4WB, UK  
Telephone +44(0) 1325 390000, Fax: +44(0) 1325 390001

THIS DOCUMENT IS THE PROPERTY OF WHESSEO OIL & GAS LIMITED AND ALL ASSOCIATED COMPANIES. IT MUST NOT BE COPIED, LOANED OR TRANSFERRED NOR MUST THE INFORMATION IT CONTAINS BE DISCLOSED TO ANY THIRD PARTY WITHOUT THE WRITTEN CONSENT OF WHESSEO OIL & GAS LIMITED.



Client: NORTHERN STAR NATURAL GAS  
Clients Order No:  
Project Title: NORTHERN STAR NATURAL GAS LNG TERMINAL  
Project No: 31

Drawing Title:  
**PROFILES OF EXISTING LAND AND TERTIARY BUNDS ADJACENT TO COLUMBIA RIVER**

Designed: D. Kneale	Drawn: I. Johnson	Checked: D. Kneale	Approved: P. Maynard
Scale: 1/128"=1'-0"	Date: 23/05/06	Date: 23/05/06	Date: 23/05/06
Drawing No: SW00031-0011-CI-LO-018	Revision: A4	Drq Size: 36x24 INCHES	Status: FFF